

# CRC® Clean-R-Carb™

**CRC Clean-R-Carb™** dissolves carburetor deposits such as gum, sludge and varnish to improve fuel system performance and insure maximum fuel economy. Safe for use with Oxygen Sensors and Catalytic Converters.

**DIRECTIONS:** Read entire label before using this product.

This product is extremely flammable and may cause flash fires and engine backfires which may result in injury. Do not spray on hot metal surfaces or when engine is hot. Use plastic extension tube to direct spray to exact location. **CARBURETOR AND LINKAGE:** With ignition off and engine cool, remove air filter and spray entire exterior surface of carburetor including linkage. After carburetor dries, start engine and spray Clean-R-Carb™ down the carburetor throat to remove the deposits from the lower throttle plate area. **AUTOMATIC CHOKE:** With engine off, spray Clean-R-Carb™ on both ends of choke valve and corresponding linkages while opening and closing choke by hand. **MANIFOLD HEAT CONTROL VALVE:** With engine cold, spray Clean-R-Carb™ on both ends of heat control valve shaft. Move counterweight up and down until valve moves freely. If necessary, tap gently with a light hammer to loosen a frozen heat control valve. **PCV VALVE:** Disconnect crank case side of PCV valve and with engine running spray Clean-R-Carb™ into open end of valve while working the plunger back and forth. **IMPORTANT:** If spilled or sprayed on painted surface, wipe off or wash off immediately.

*Professional users should consult MSDS and follow all applicable OSHA regulations.*

**WARNING - DANGER ☹️ POISON.** Contains Toluene 108-88-3, Methanol 67-56-1, Acetone 67-64-1, Heptane 142-82-5, Xylene 1330-20-7 and Carbon Dioxide 124-38-9. Cannot be made non-poisonous. Do not puncture, incinerate or store can above 120°F. Exposure to high temperature may cause can to burst. Do not place in direct sunlight or near any heat source. Product is extremely flammable and should be kept from flames and other ignition sources. This product contains a chemical known to the state of California to cause cancer and birth defects, or other reproductive harm. Overexposure to vapors can cause eye and skin irritation, headaches, nausea, dizziness, irritation to upper respiratory tract and irregular heartbeats. High concentrations have caused liver and kidney effects on laboratory animals. Deliberate misuse by concentrating and inhaling the contents can be harmful or fatal. Use with adequate ventilation - Open doors and windows or use other means to ensure a fresh air supply during use and while product is drying. If you experience any symptoms listed on this label, increase ventilation or leave the area. Avoid continuous breathing of vapor or spray mist. Avoid contact with skin and eyes. Vapors are heavier than air and can collect in low areas. If ventilation is not adequate, respiratory protection should be used.

**DISPOSAL:** All used and unused product should be disposed of in accordance with local, state and federal regulations. Do NOT dump in sewers, floor drains, on the ground or into any body of water.

**FIRST AID:** In case of eye or skin contact, flush with water for at least 15 minutes. If swallowed, DO NOT induce vomiting. If too much is breathed, remove to fresh air. For severe overexposure, call a physician. For more information, consult the Material Safety Data Sheet for this product.

**KEEP AWAY FROM CHILDREN**

**SPECIAL USAGE WARNINGS:** Contents Extremely Flammable. • Do not smoke while spraying. • Extinguish all flames, pilotlights, and heaters • Do not apply while equipment is energized. • Vapors will accumulate readily and may ignite. • Use only with adequate ventilation. Methane Ventilation during use and until vapors are gone.

**ELECTRICAL SHOCK HAZARD:** This can will conduct electricity. Keep away from all live electrical sources including Battery, Terminals, Solenoids, Electrical Panels and other electronic components. DO NOT use with tools in "ON" position. Failure to observe this warning may result in serious injury from flash fire and/or electrical shock.

©2007 CRC Industries, Inc.  
Warrington, PA 18974  
800-521-3168 (Technical Information)  
800-272-8965 (Customer Service)  
215-442-6260 (MSDS)  
www.crcindustries.com

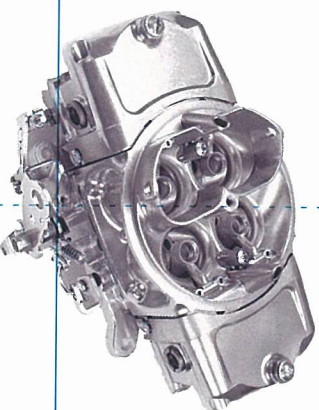
Made in U.S.A.  
07A CRCFS94M-Q  
DOT 20 M5702

*Blue*



# Clean-R-Carb™

## Carburetor Cleaner



*Maximize Performance*

**Cleans and Frees**

- Auto Chokes
  - Heat Risers
  - Carb Linkage
  - PCV System
- Low VOC Formula**



**DANGER: EXTREMELY FLAMMABLE. VAPOR HARMFUL, HARMFUL OR FATAL IF SWALLOWED, MAY CAUSE BLINDNESS IF SWALLOWED, EYE AND SKIN IRRITANT. CONTENTS UNDER PRESSURE.**

Read warnings on back panel.

Net Wt. 1 lb. (454 g) No. 05081CA